

**VIBO**  
Wire processing

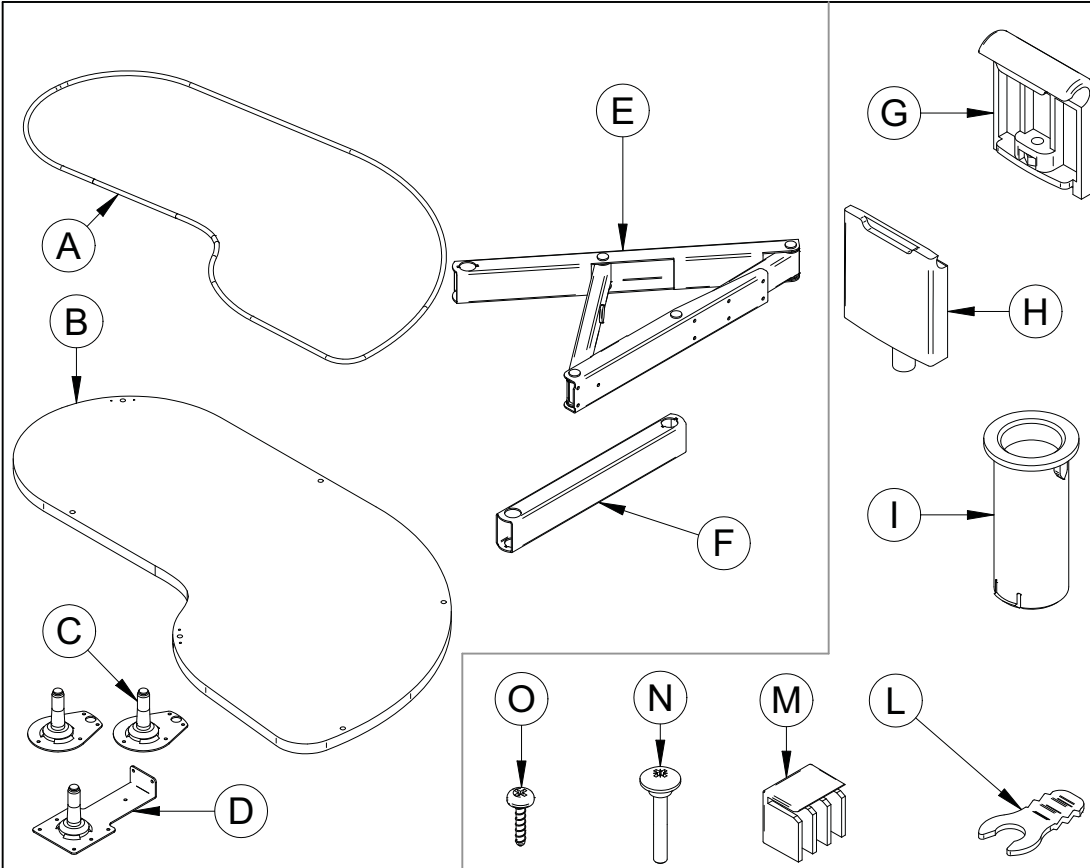
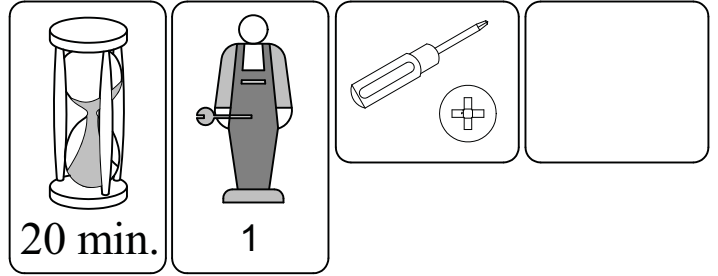
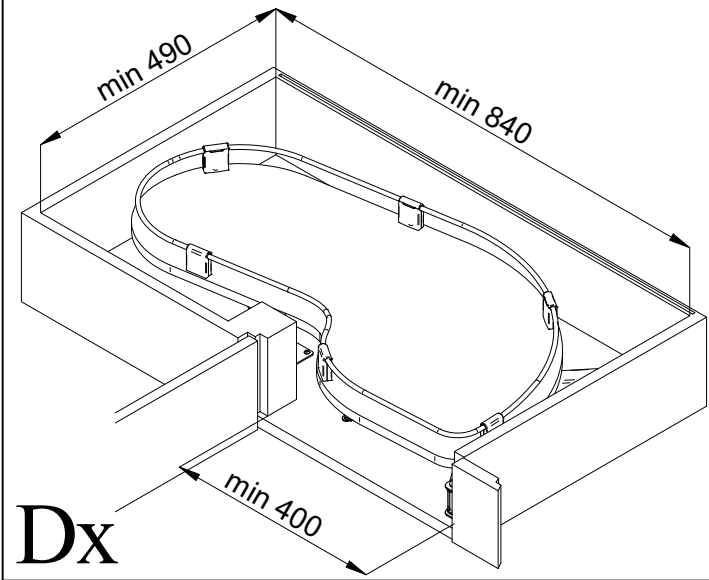
Portata massima:  
Maximum load:  
Charge maxi:  
Maximale belastbarkeit:  
Carga maxima:

25  
Kg

**Istruzioni di montaggio**  
Assembling instructions  
Notice de montage  
Montageanleitung  
Manual de montaje

Reversibile - Reversible  
Rèversible - Reversibel - Reversible

**EUK45F1**



**PRIMA DI COMINCIARE,  
VEDERE I CONSIGLI DI  
MONTAGGIO**

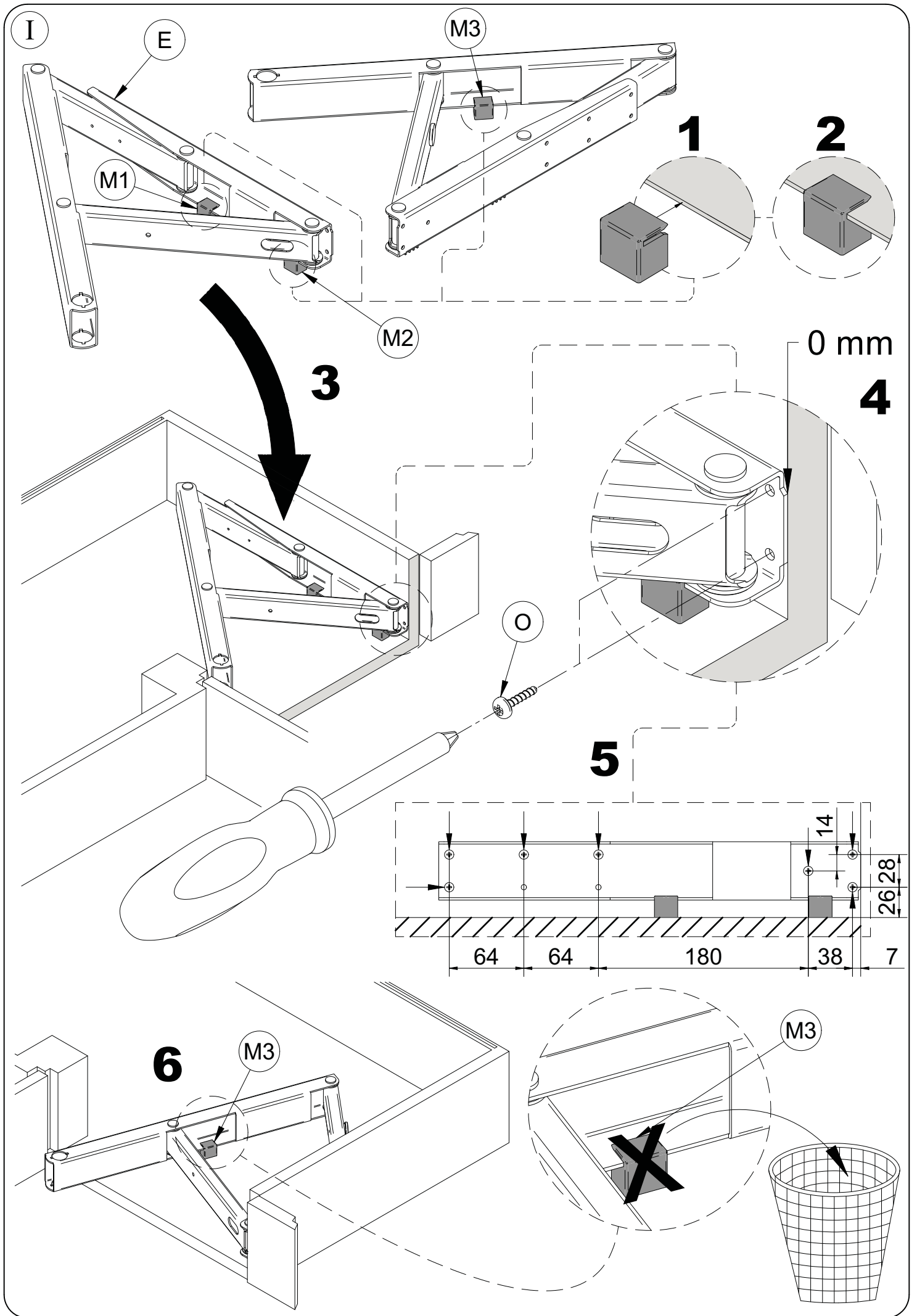
BEFORE STARTING, REFER  
TO THE ASSEMBLING  
ADVICE IN ANNEX

AVANT DE COMMENCER, SE  
REPORTER AUX CONSEILS  
DE MONTAGE EN ANNEXE

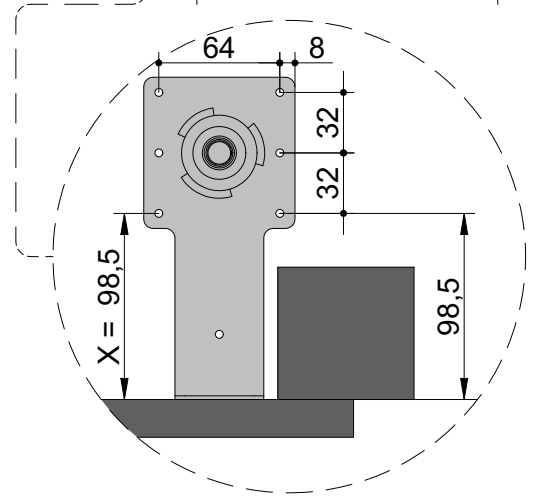
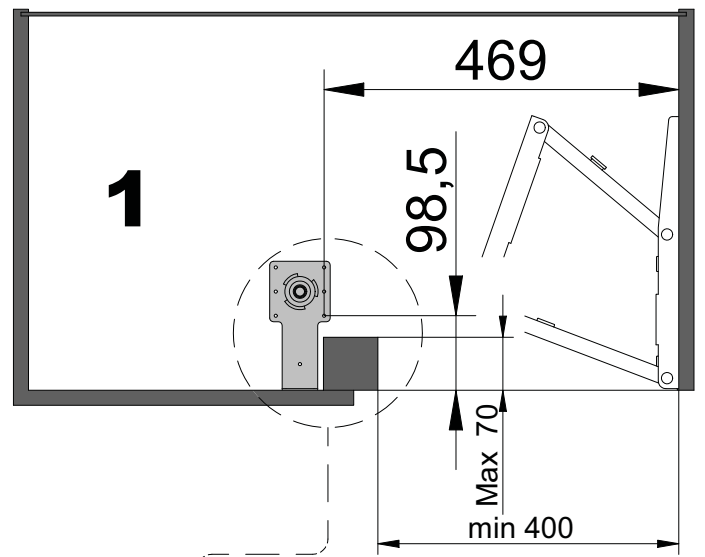
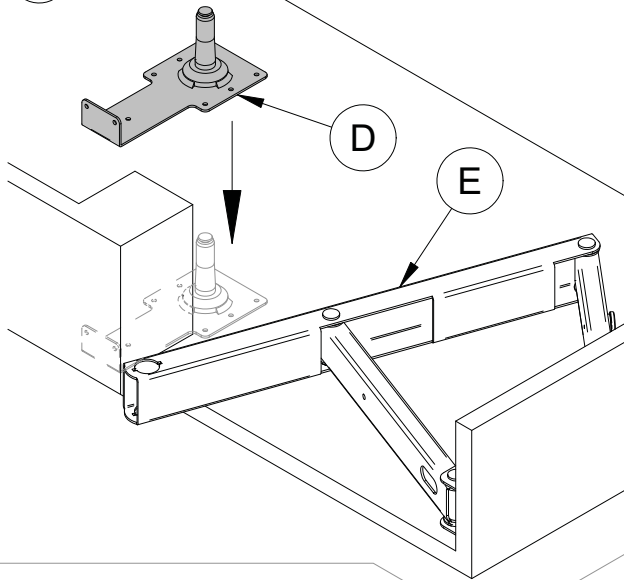
VOR DIE MONTAGE, BITTE  
BEILIEGENDE  
ANWEISUNGEN FOLGEN

ANTES DE EMPEZAR  
CONSULTE LOS CONSEJOS  
PARA EL MONTAJE

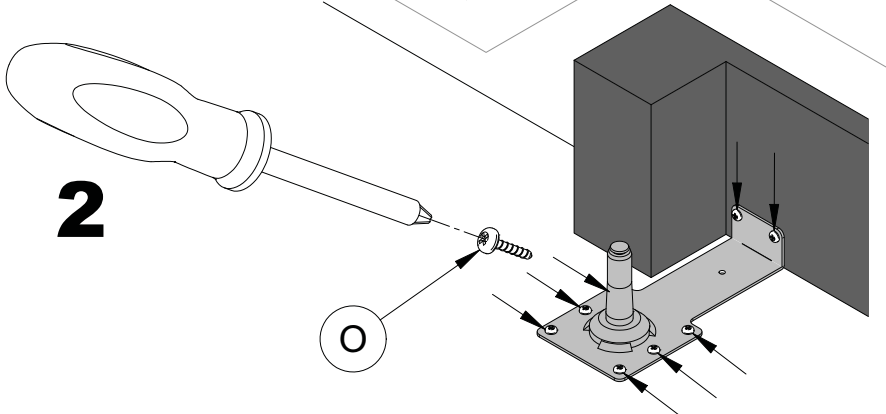
A x 1	B x 1	C x 2	D x 1	E x 1	F x 1	
G x 6	H x 6	I x 3	L x 3	M x 3	N x 6	O x 25



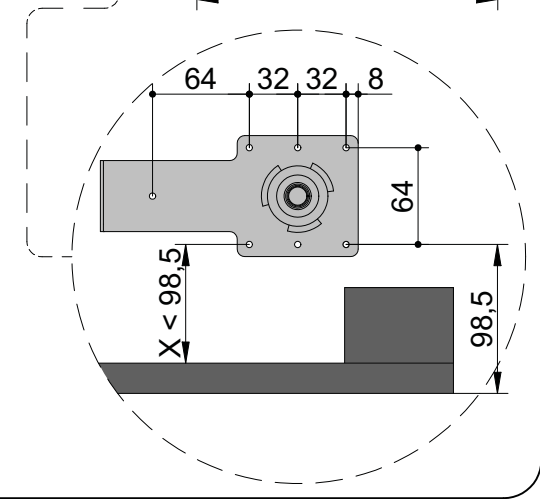
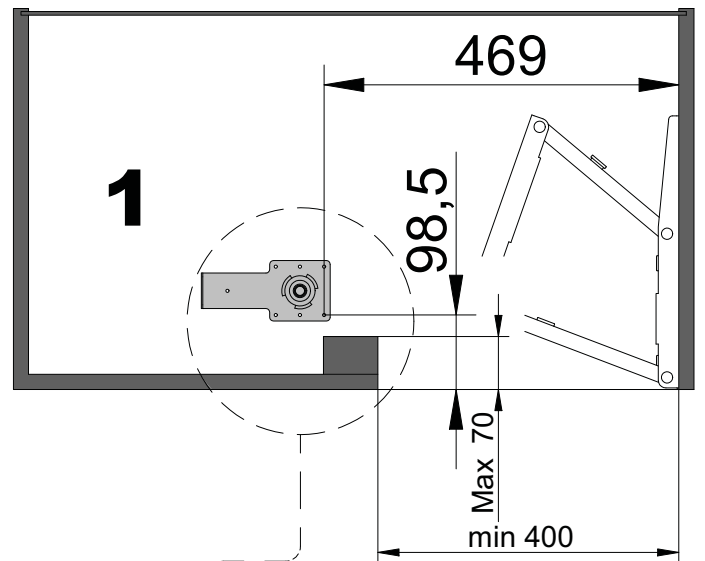
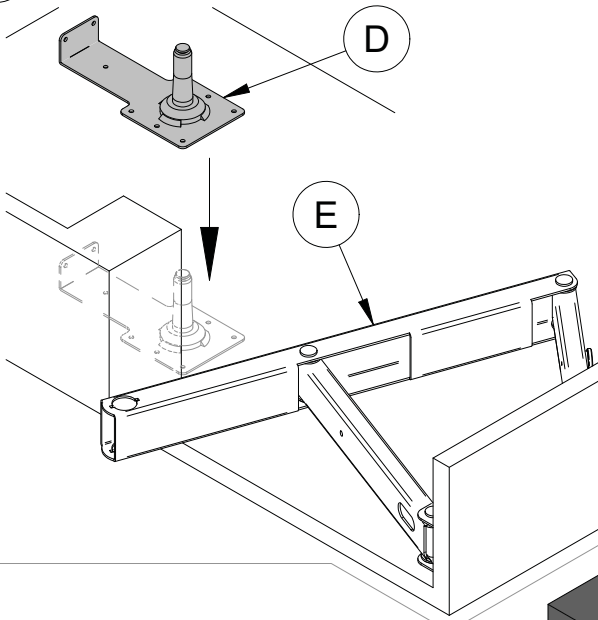
IIa  $X = 98,5\text{mm}$



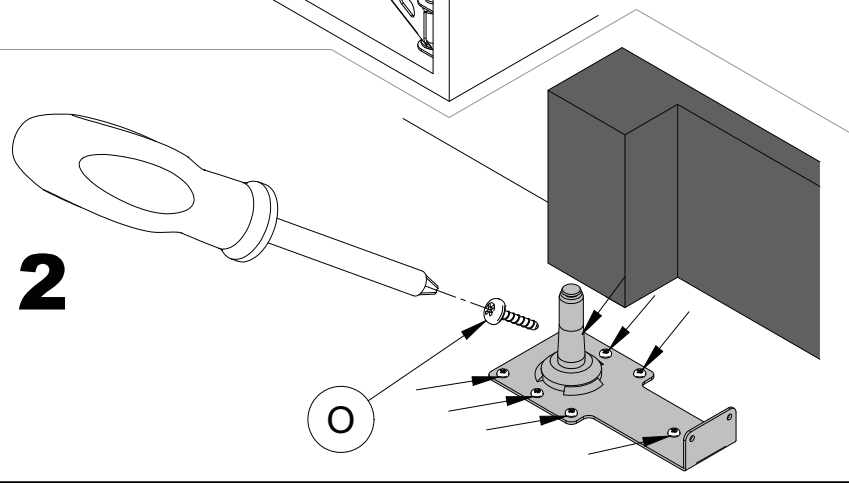
2



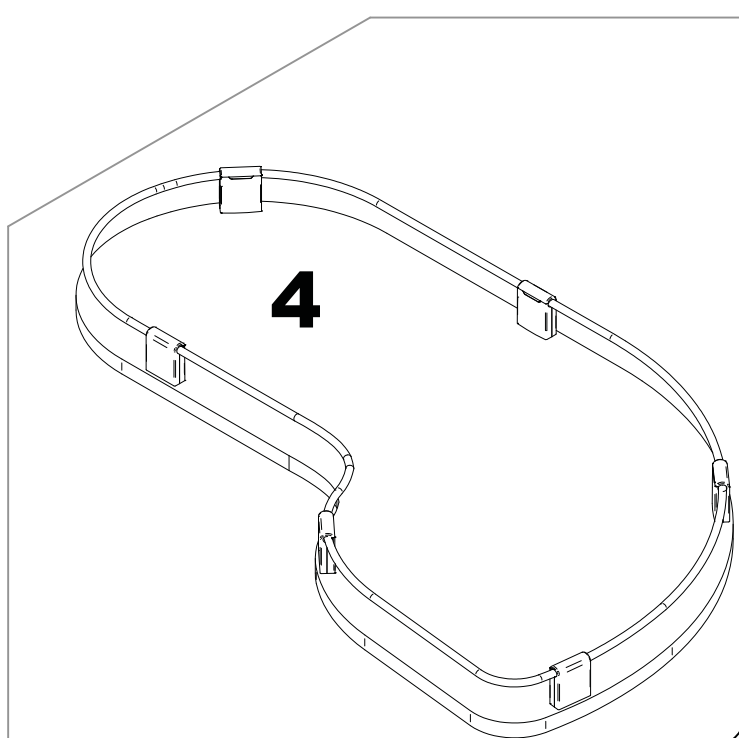
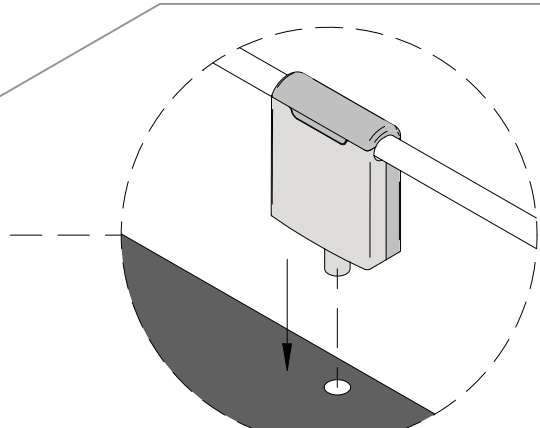
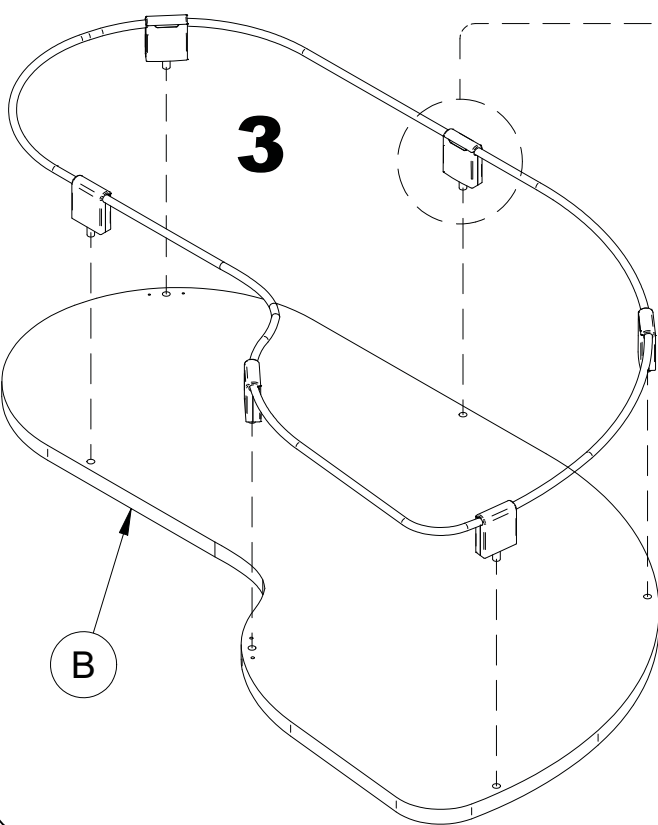
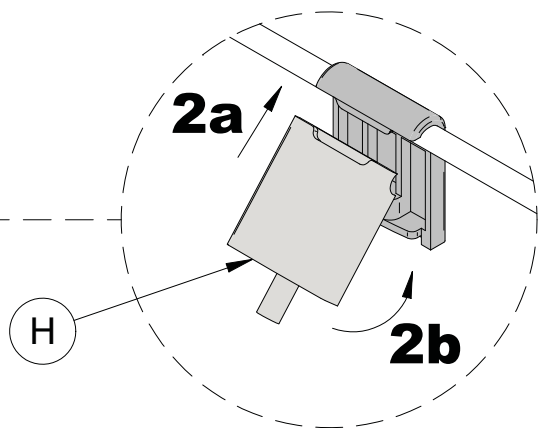
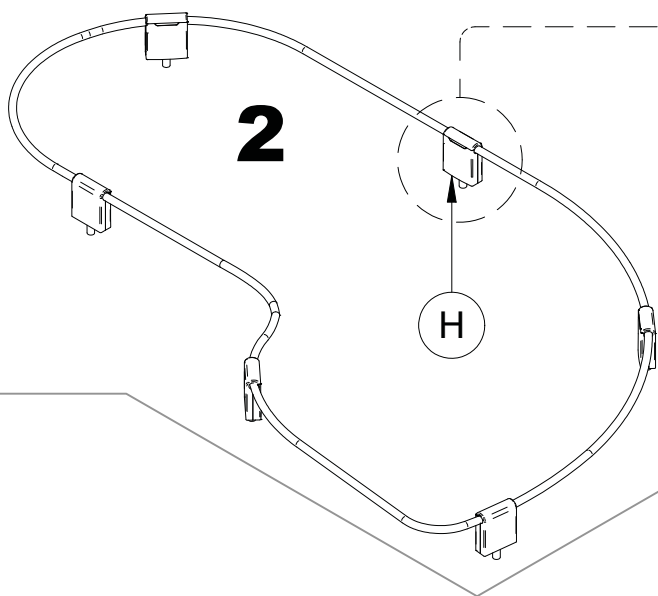
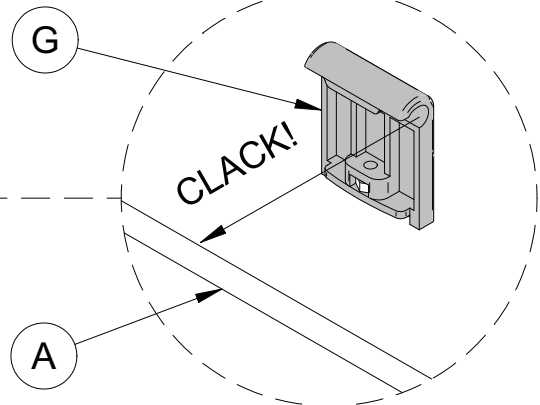
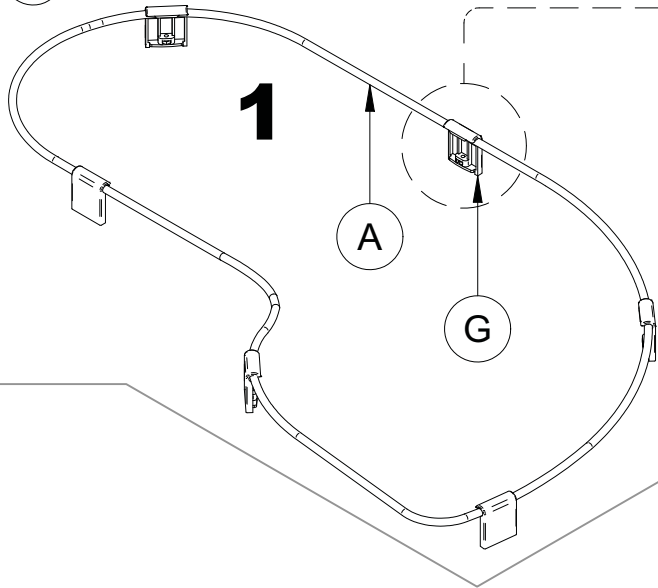
IIb  $X < 98,5\text{mm}$



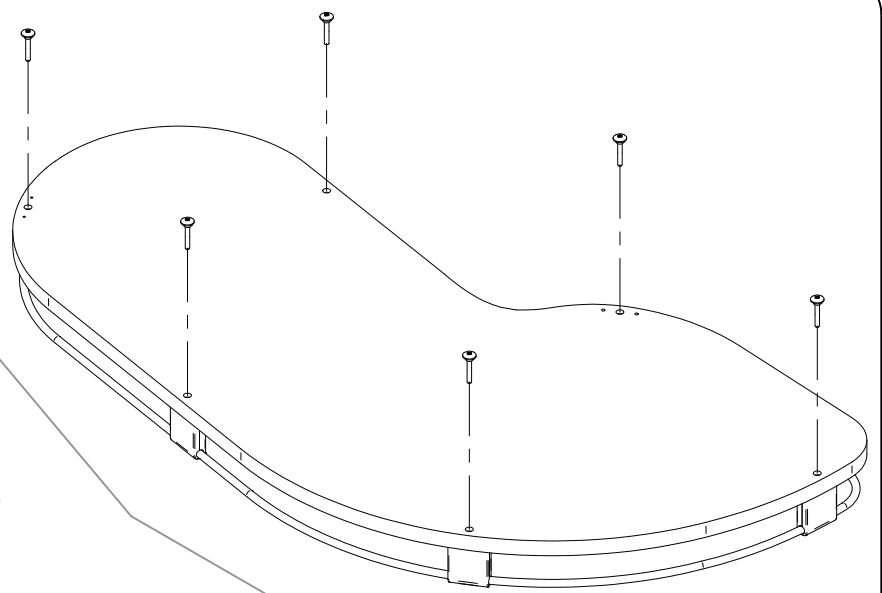
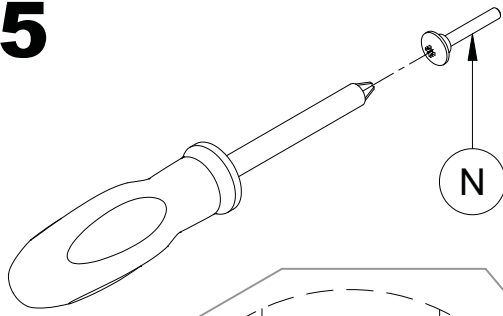
2



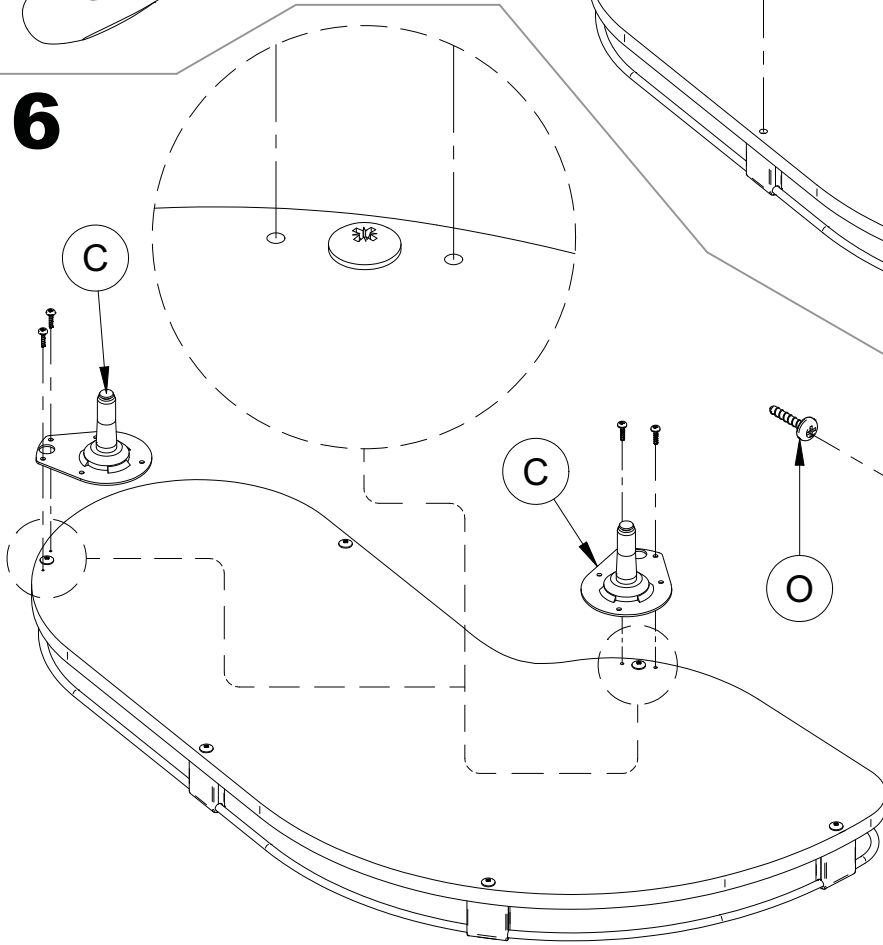
III



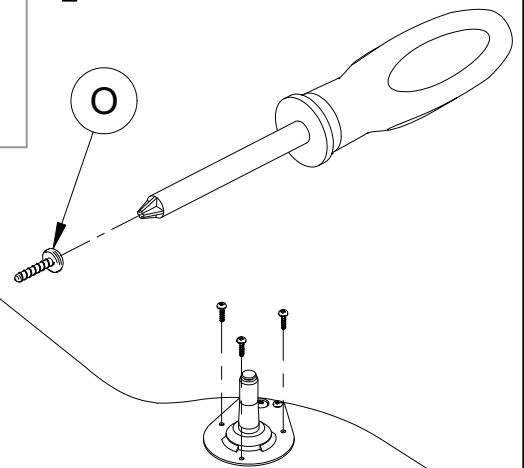
**5**



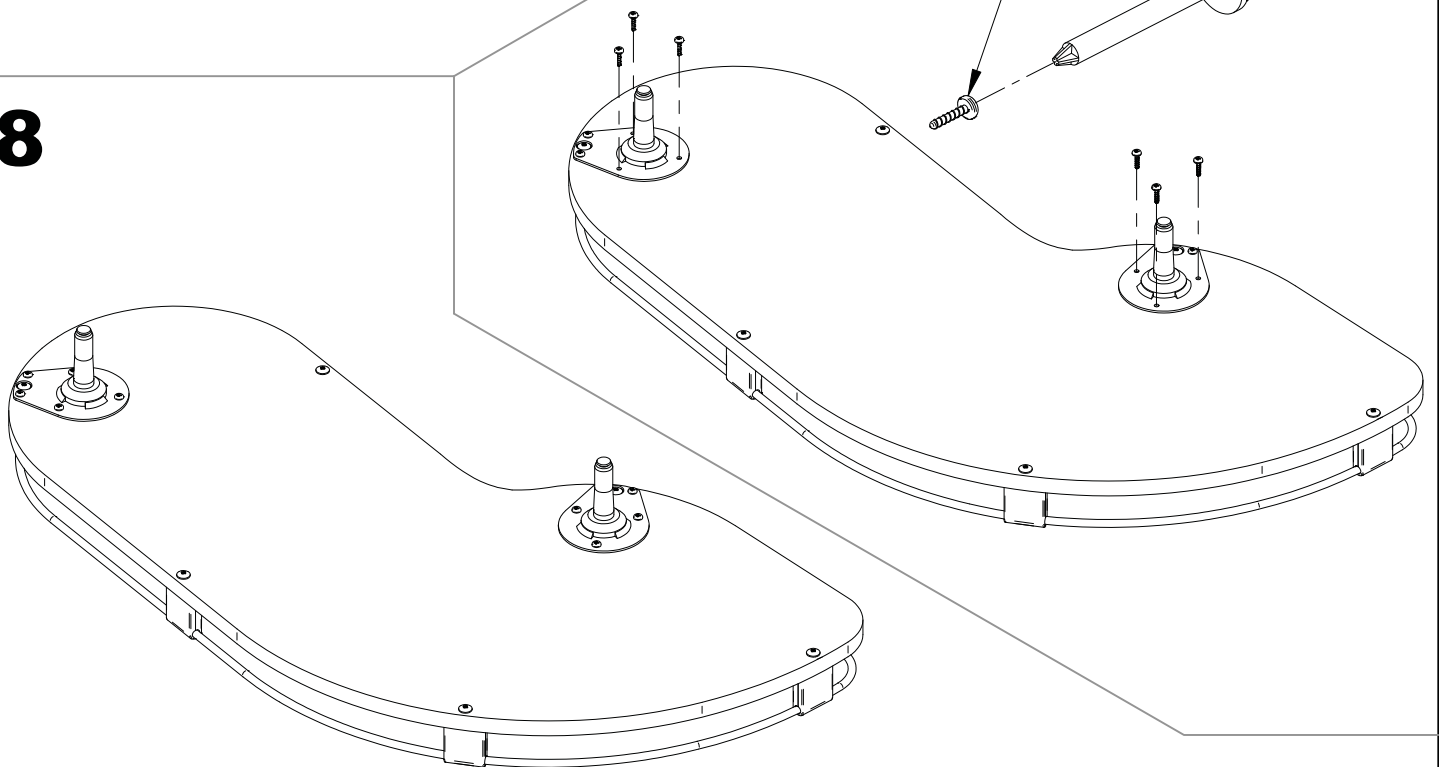
**6**

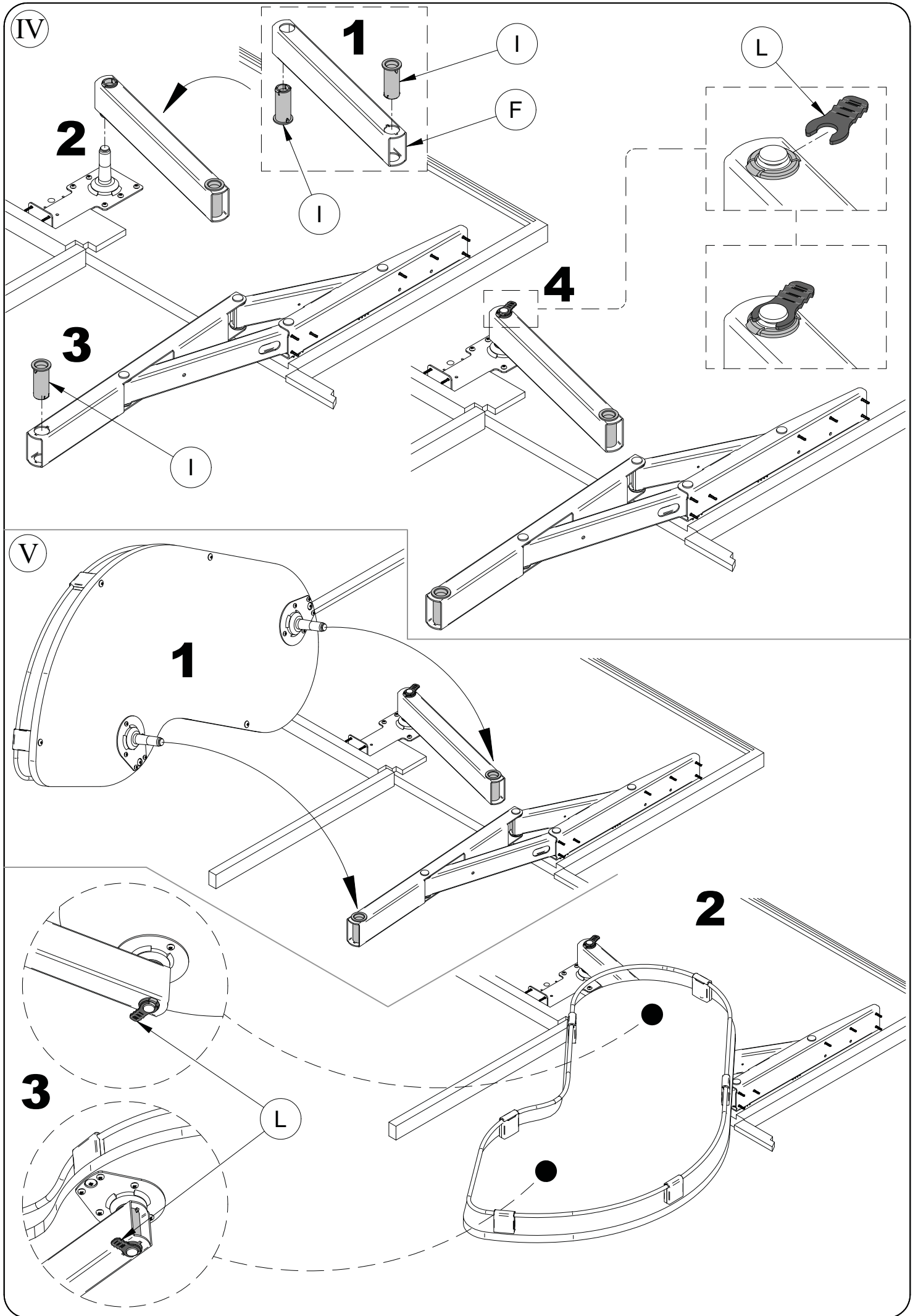


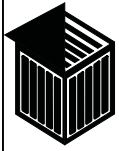
**7**



**8**







**VIBO**  
Wire processing

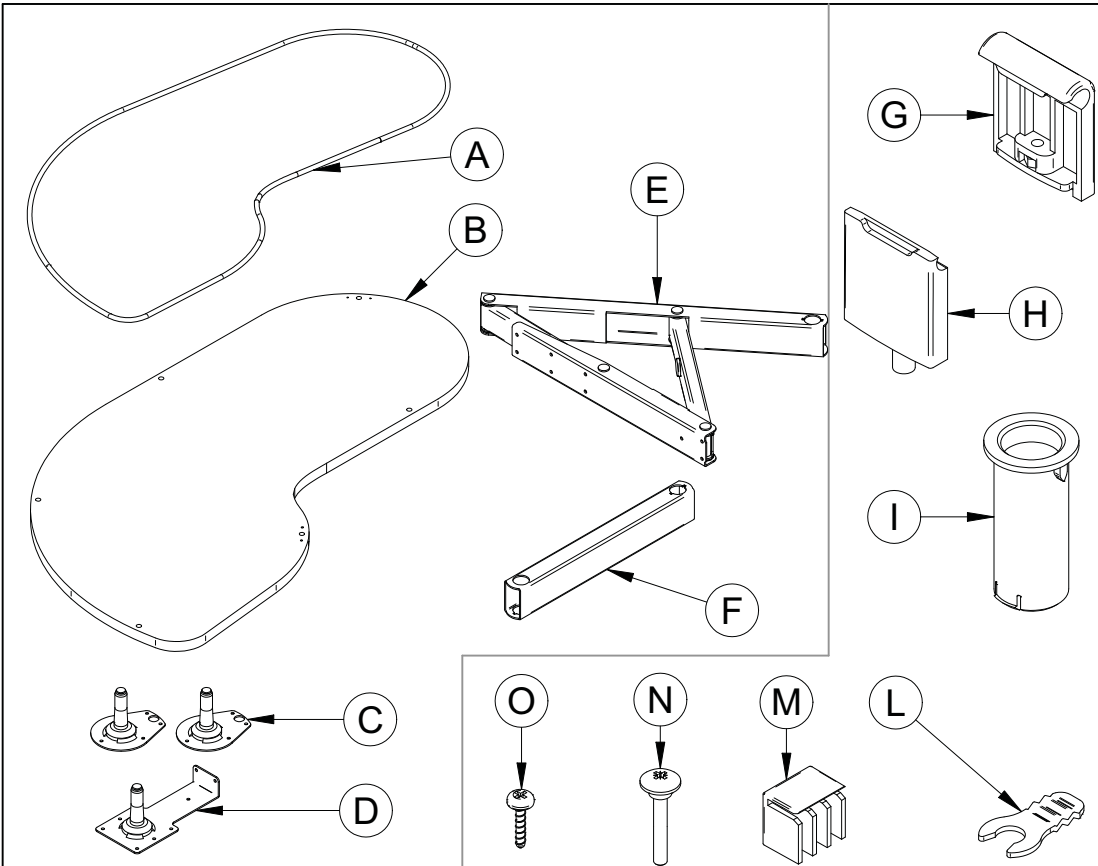
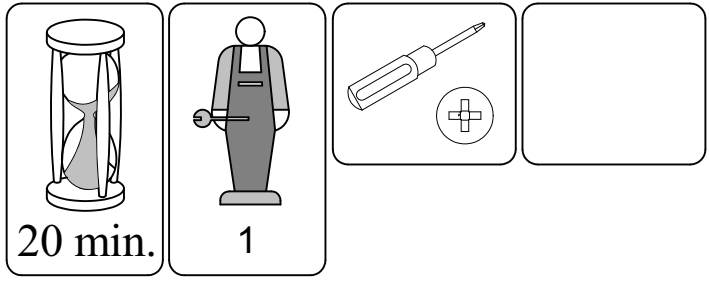
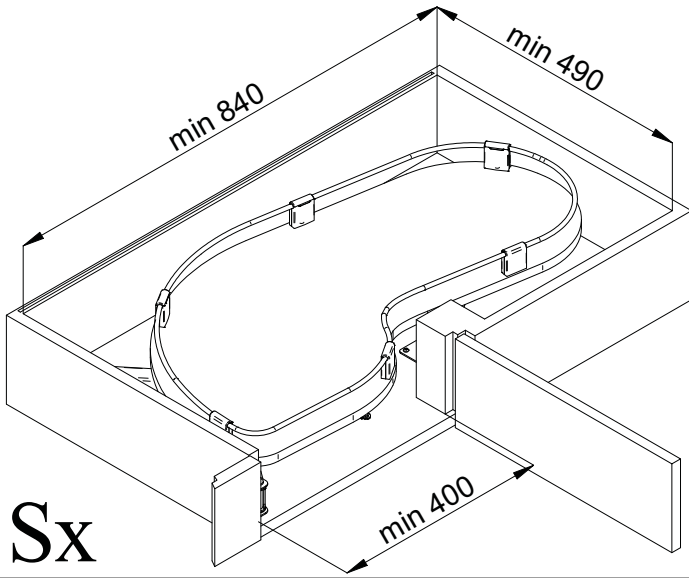
Portata massima:  
Maximum load:  
Charge maxi:  
Maximale belastbarkeit:  
Carga maxima:

25  
Kg

**Istruzioni di montaggio**  
Assembling instructions  
Notice de montage  
Montageanleitung  
Manual de montaje

Reversibile - Reversible  
Rèversible - Reversibel - Reversible

**EUK45F1**



**PRIMA DI COMINCIARE, VEDERE I CONSIGLI DI MONTAGGIO**

BEFORE STARTING, REFER TO THE ASSEMBLING ADVICE IN ANNEX

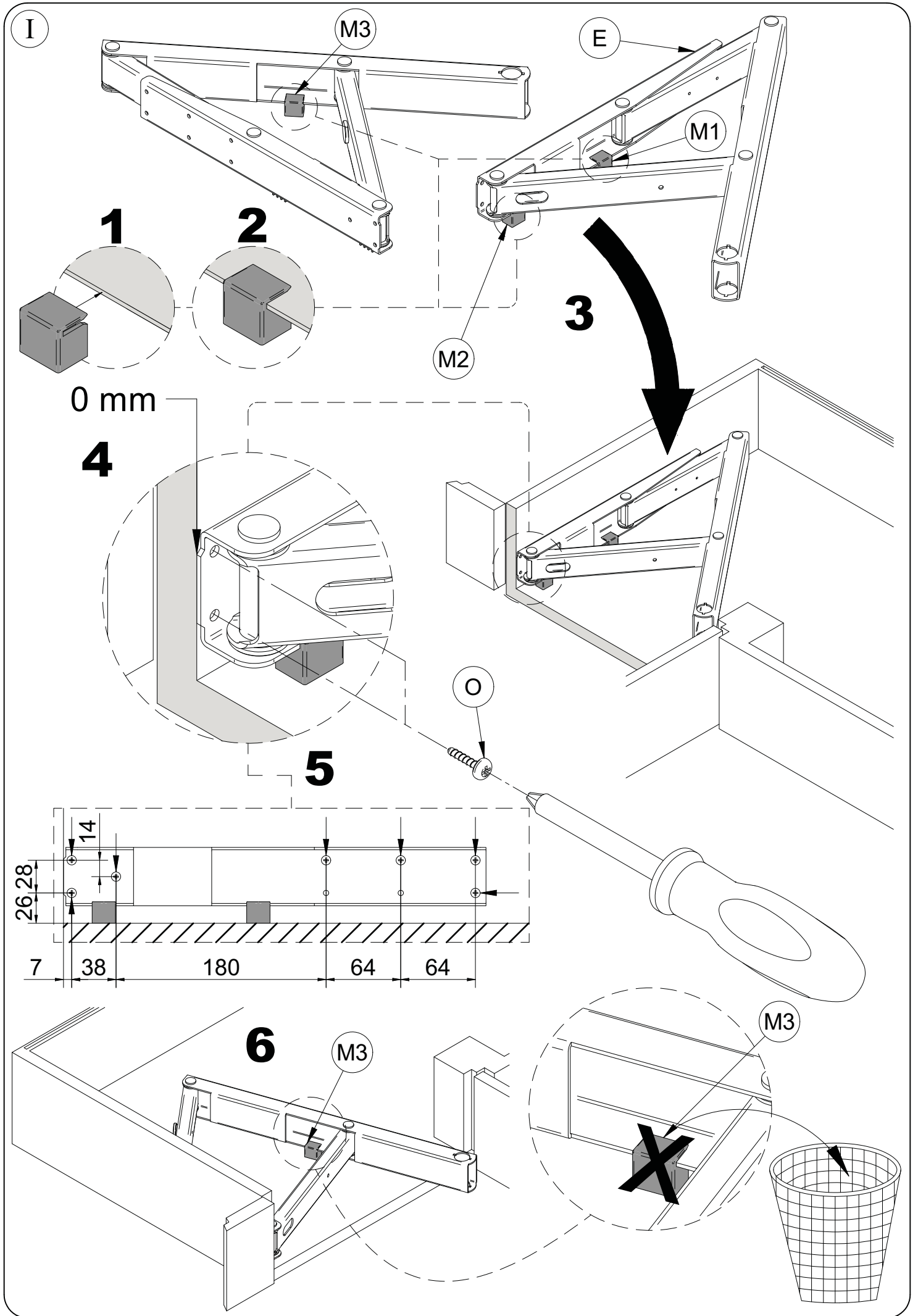
AVANT DE COMMENCER, SE REPORTER AUX CONSEILS DE MONTAGE EN ANNEXE

VOR DIE MONTAGE, BITTE BEILIEGENDE ANWEISUNGEN FOLGEN

ANTES DE EMPEZAR CONSULTE LOS CONSEJOS PARA EL MONTAJE

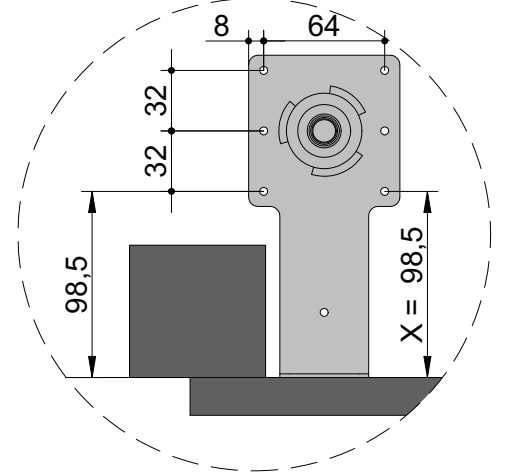
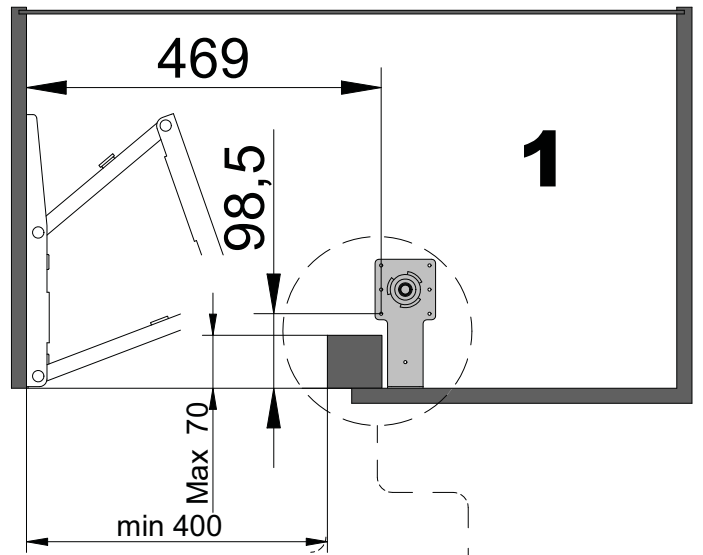
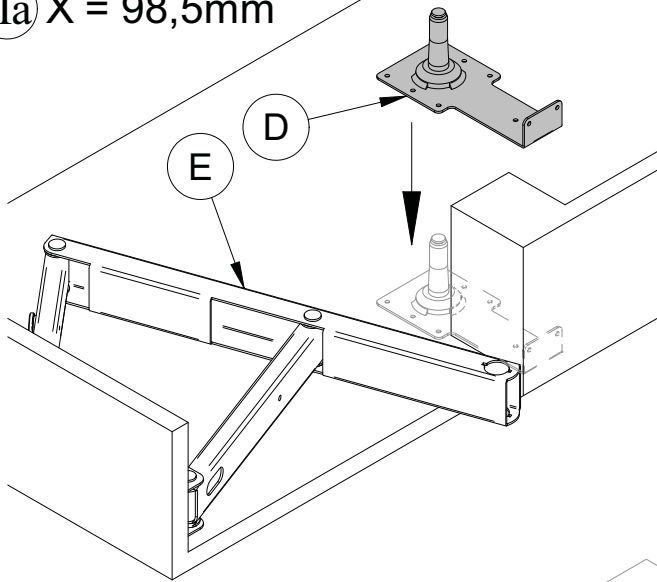
<b>A x 1</b>	<b>B x 1</b>	<b>C x 2</b>	<b>D x 1</b>	<b>E x 1</b>	<b>F x 1</b>	
<b>G x 6</b>	<b>H x 6</b>	<b>I x 3</b>	<b>L x 3</b>	<b>M x 3</b>	<b>N x 6</b>	<b>O x 25</b>





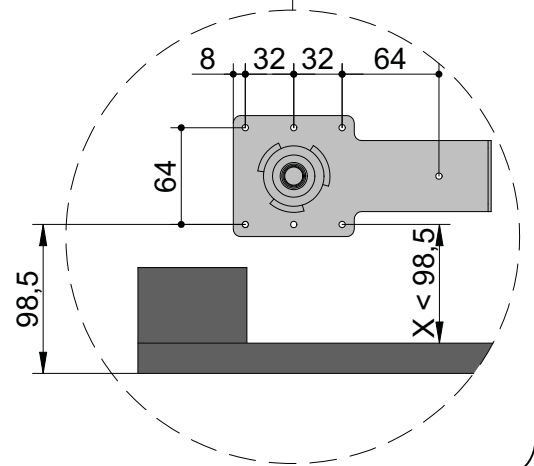
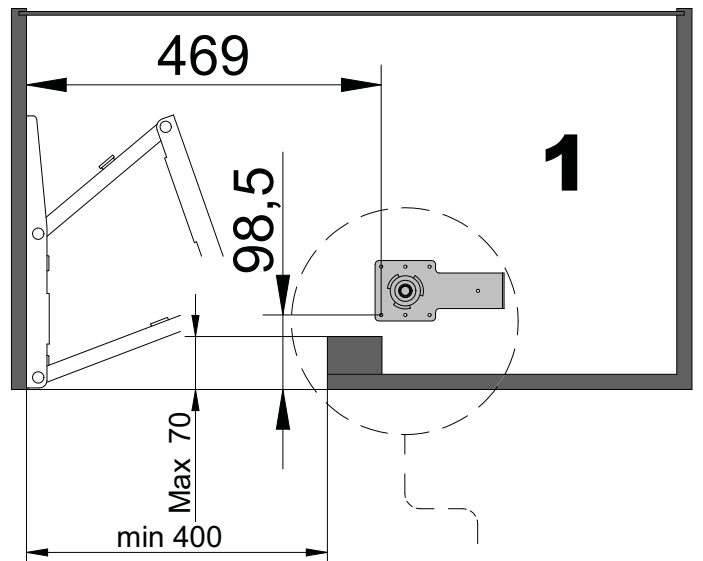
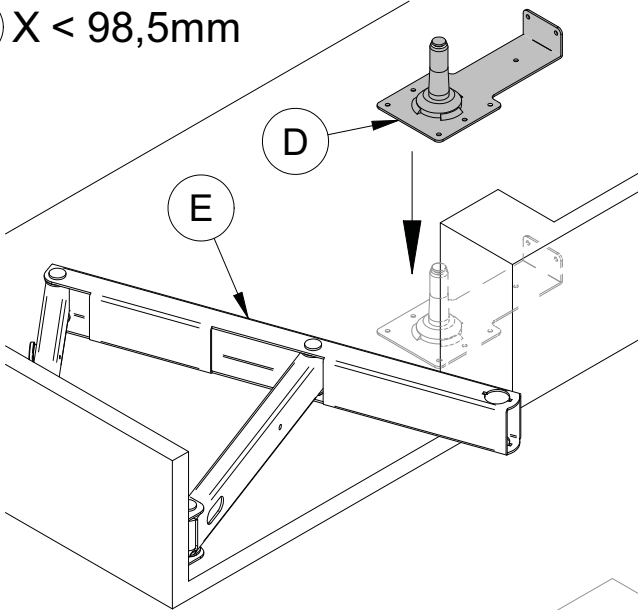


IIa)  $X = 98,5\text{mm}$



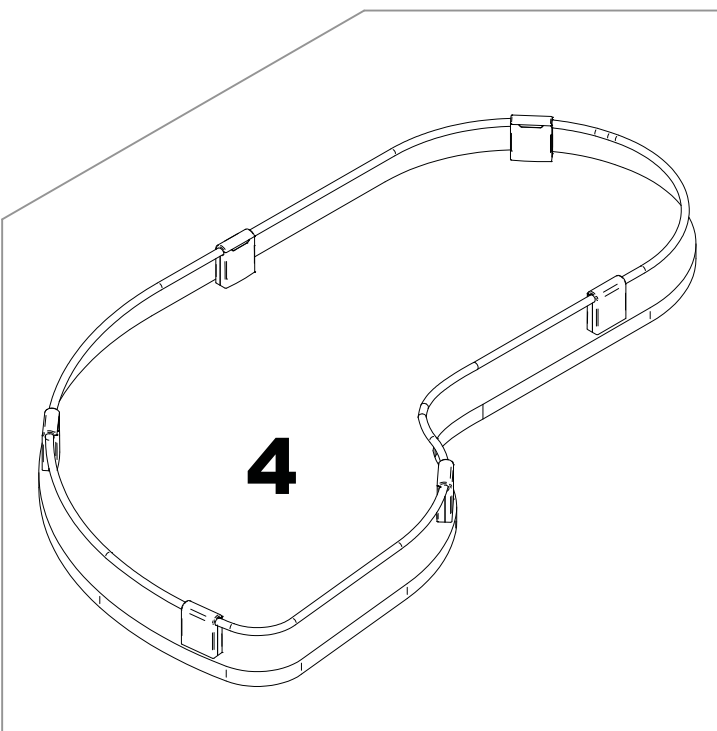
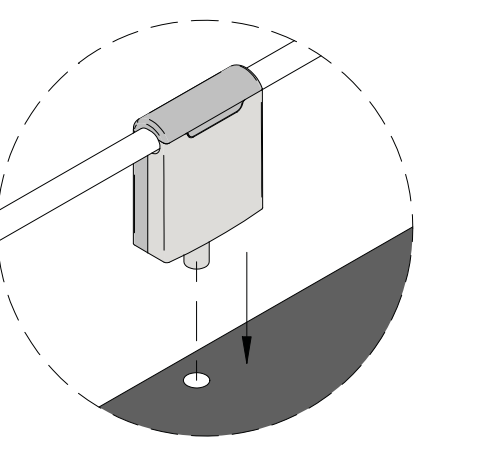
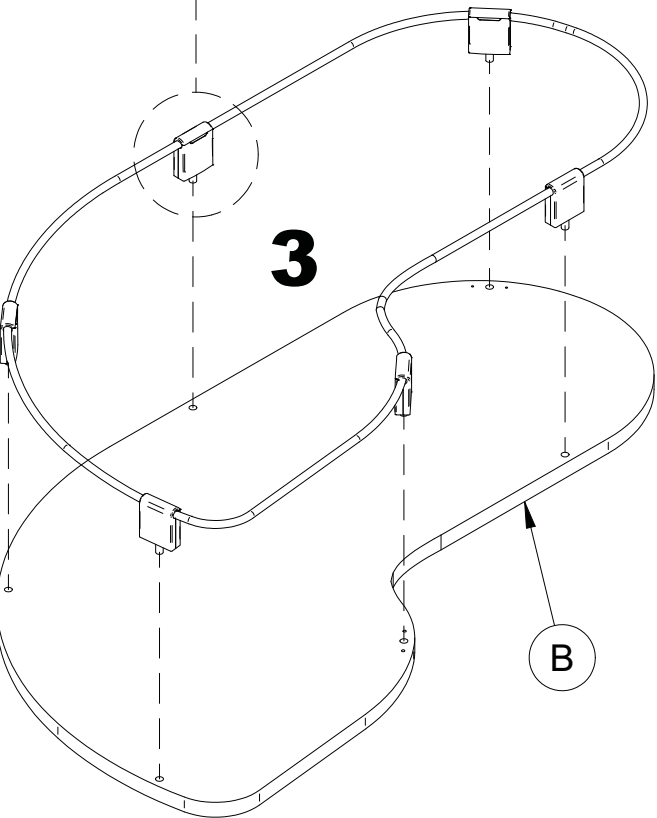
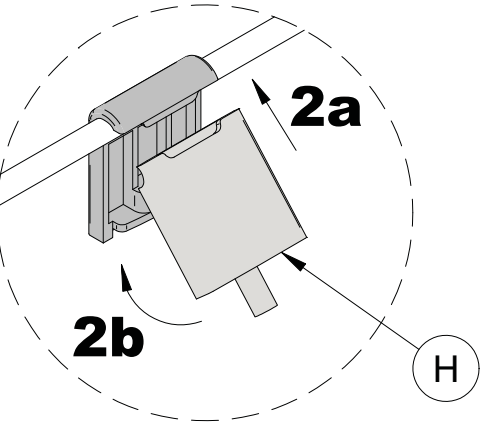
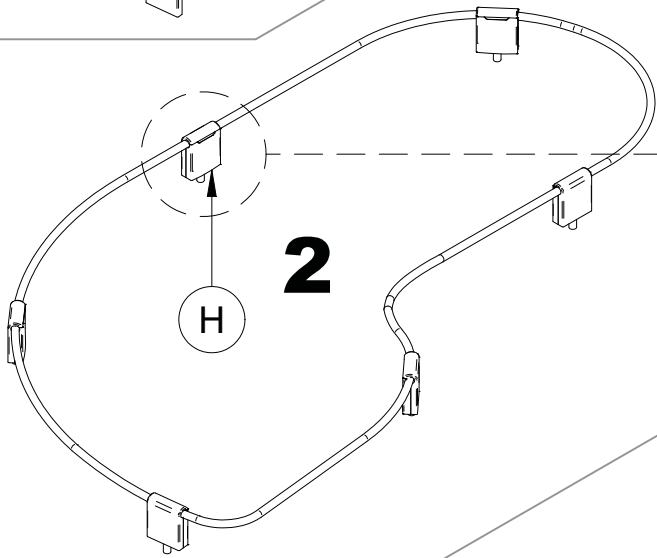
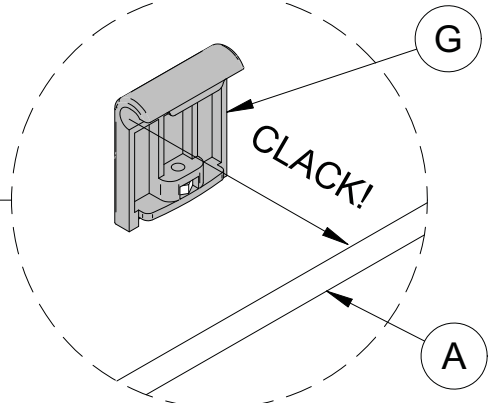
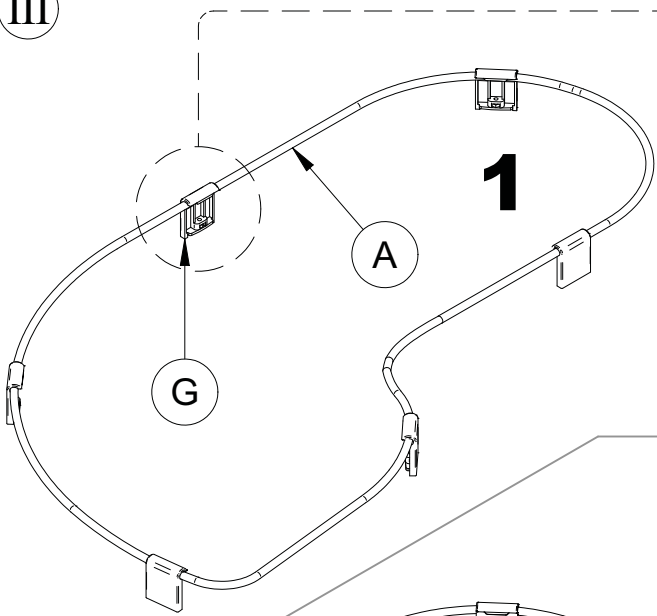
2

IIb)  $X < 98,5\text{mm}$

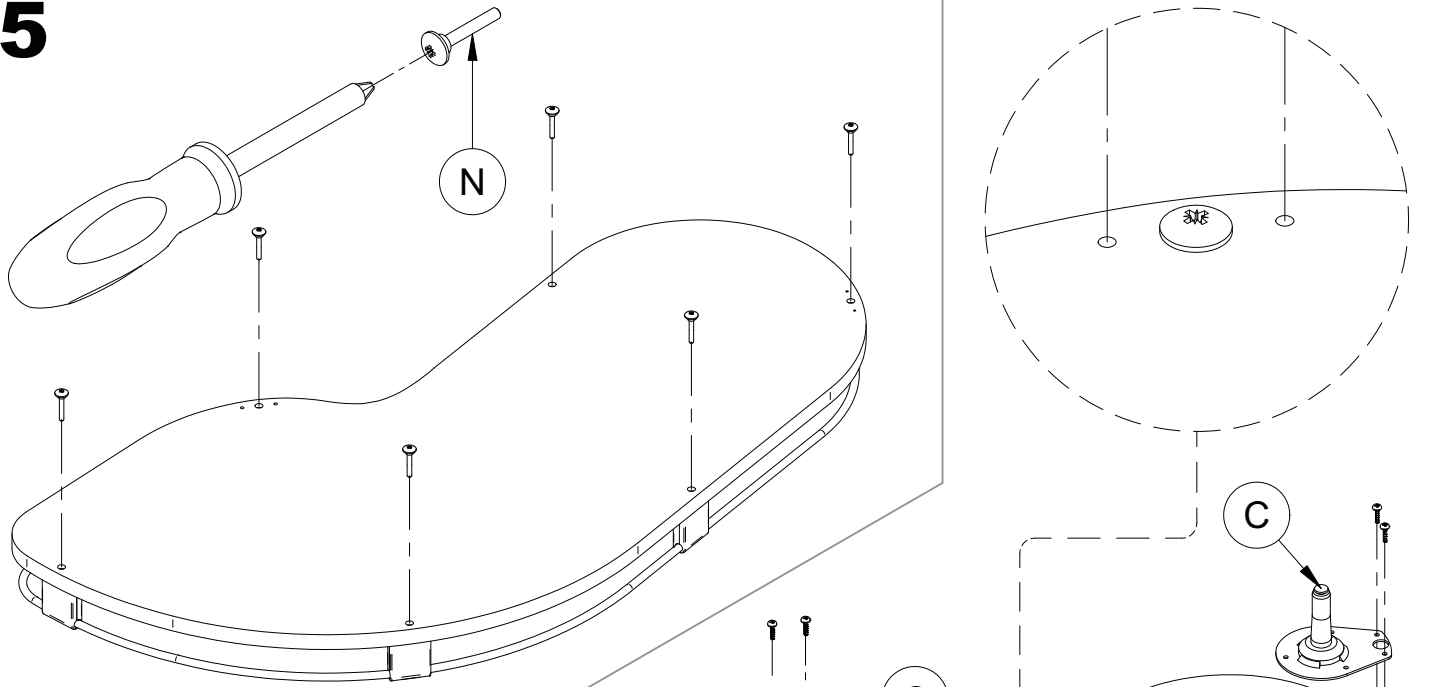


2

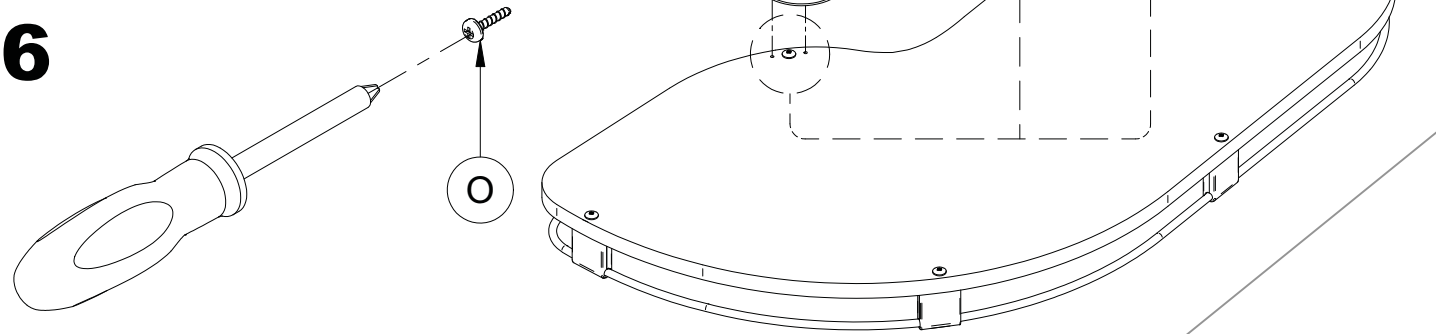
III



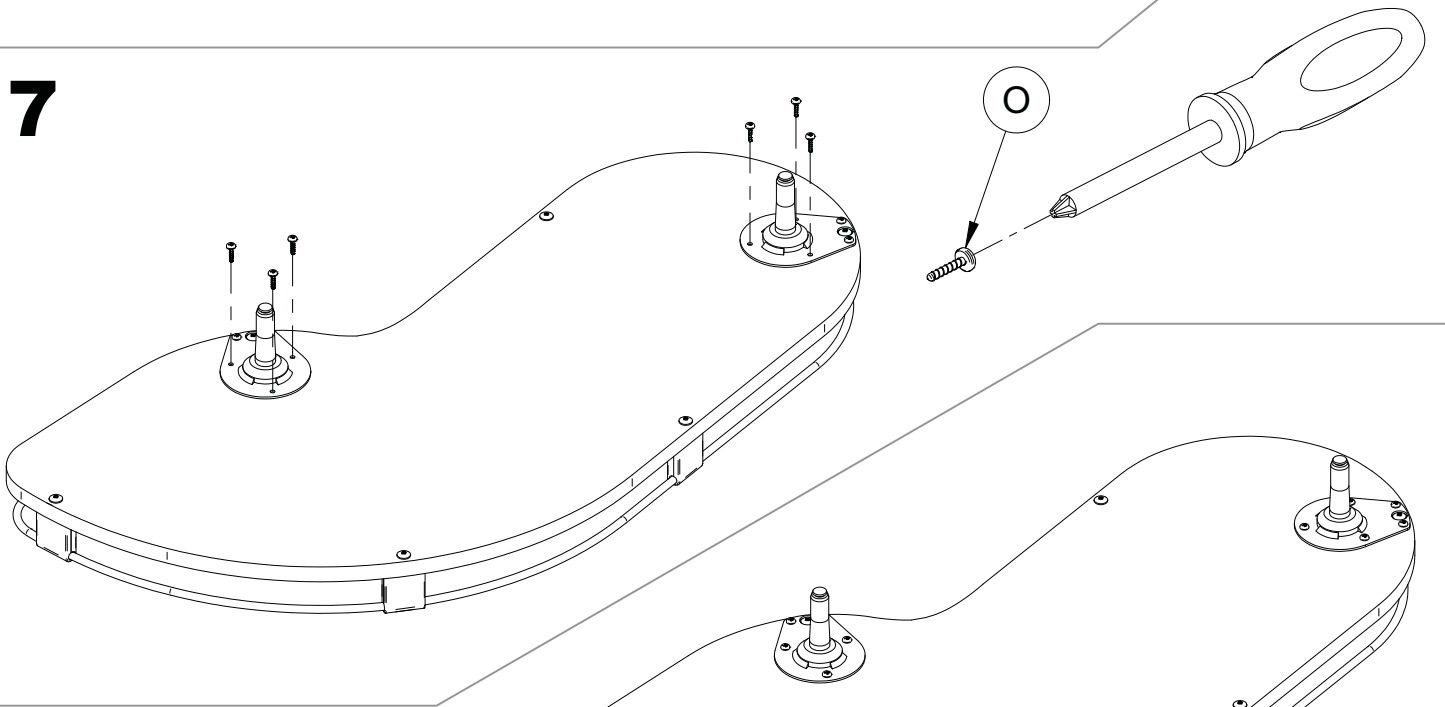
**5**



**6**



**7**



**8**

