

Date received: 30/09/10

Date of issue: 03/11/10

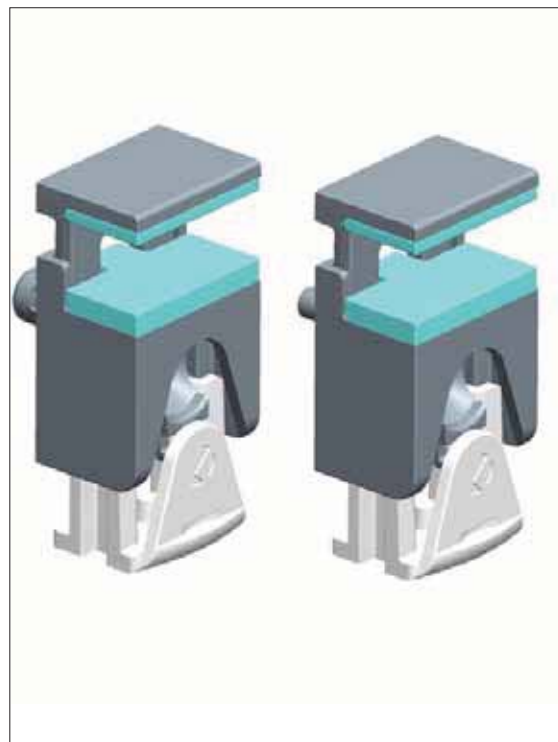
Report consists of 1 test report.

Defects before testing: None

Sample name: Reggipiano Kubic ø5 e ø3

FERRAMENTA LIVENZA S.R.L.
VIALE L. ZANUSSI 21
33070 MARON DI BRUGNERA (PN)
ITALIA**SAMPLE N° 121084****List performed tests:**

1. Strength of shelf supports EN 14749:2005, clause 6.3.3



This document is validated by digital signature and time stamping in accordance with the Italian laws and the European Directives which regulate the electronic signature systems.

Managing Director
Dr. Andrea Giavon

The sample name and, when relevant, its description, are given by the orderer, and CATAS does not assume responsibility on this matter. This test report relates to the sample submitted for the test and no others. Additions, deletions or alterations are not permitted. This test report must always be reproduced in its entirety. Unless otherwise stated, sampling has been carried out by the orderer.

TEST REPORT

121084 / 1

Date received: 30/09/10
Date of test: 06/10/10
Date of issue: 03/11/10



FERRAMENTA LIVENZA S.R.L.
VIALE L. ZANUSSI 21
33070 MARON DI BRUGNERA (PN)
ITALIA

Sample name: Reggipiano Kubic ø5 e ø3

Strength of shelf supports EN 14749:2005, clause 6.3.3

Reggipiano Kubic ø 5

Shelf dimensions: 855 x 460 x 8 mm
Material: plastic material
Supports: metal supports
Number of supports: 4

Test results:

Load on shelf kg	Mass of impact plate kg	Number of impacts for each support	Remarks
25	1,7	10	None

Reggipiano Kubic ø 3

Shelf dimensions: 855 x 460 x 8 mm
Material: plastic material
Supports: metal supports
Number of supports: 4

Test results:

Load on shelf kg	Mass of impact plate kg	Number of impacts for each support	Remarks
25	1,7	10	None

This document is validated by digital signature and time stamping in accordance with the Italian laws and the European Directives which regulate the electronic signature systems.

Managing Director
Dr. Andrea Giavon

The sample name and, when relevant, its description, are given by the orderer, and CATAS does not assume responsibility on this matter. This test report relates to the sample submitted for the test and no others. Additions, deletions or alterations are not permitted. This test report must always be reproduced in its entirety. Unless otherwise stated, sampling has been carried out by the orderer.