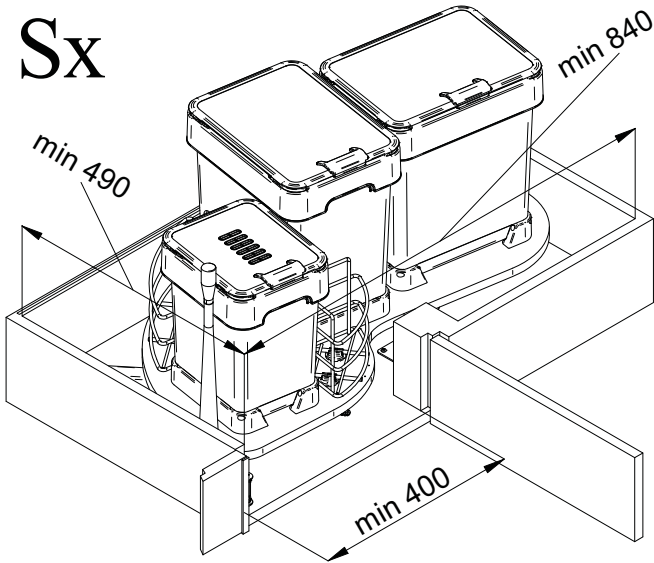


**Istruzioni di montaggio**  
**Assembling instructions**  
**Notice de montage**  
**Montageanleitung**  
**Manual de montaje**

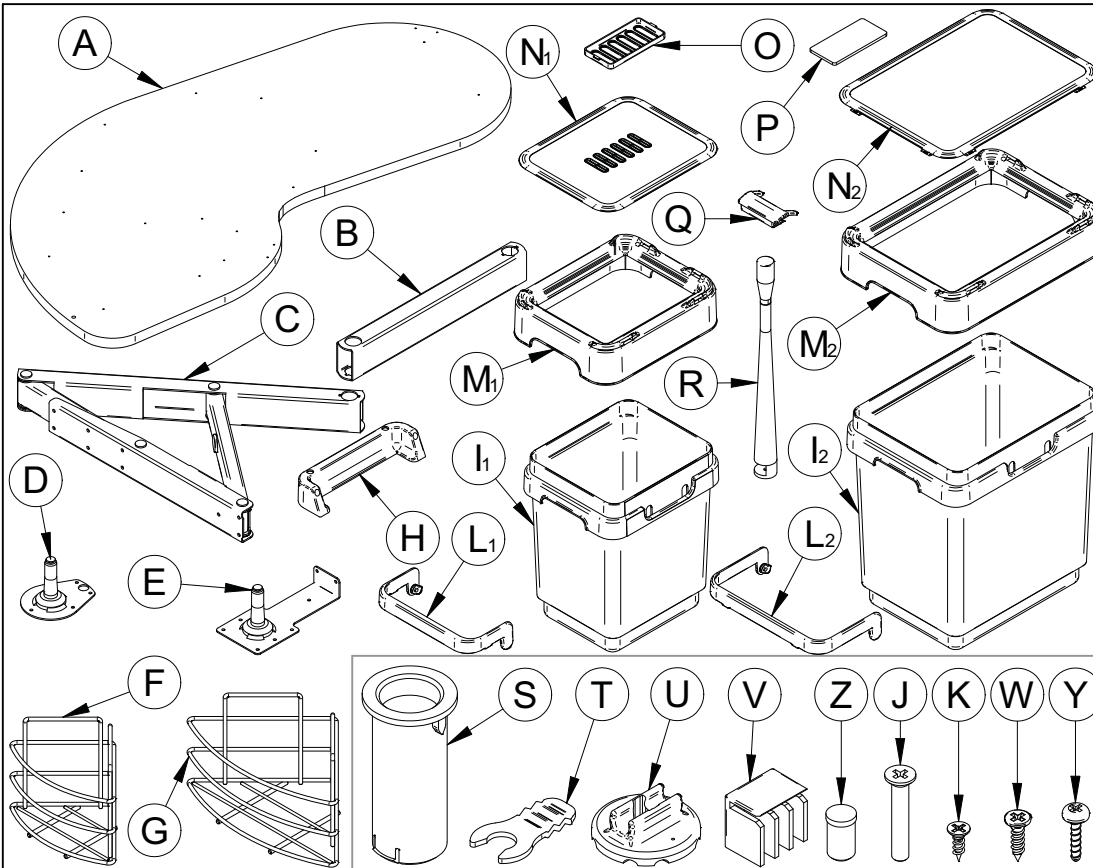
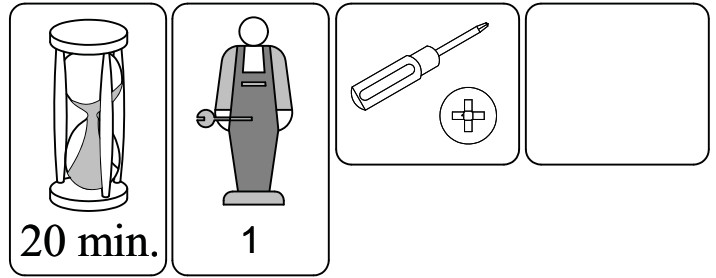
Portata massima:  
 Maximum load:  
 Charge maxi:  
 Maximale belastbarkeit:  
 Carga maxima:

**25 Kg**

**Sx**



**Reversibile - Reversible**  
**Rèversible - Reversibel - Reversible**  
**EUK45PAT...**



**PRIMA DI COMINCIARE,  
 VEDERE I CONSIGLI DI  
 MONTAGGIO**

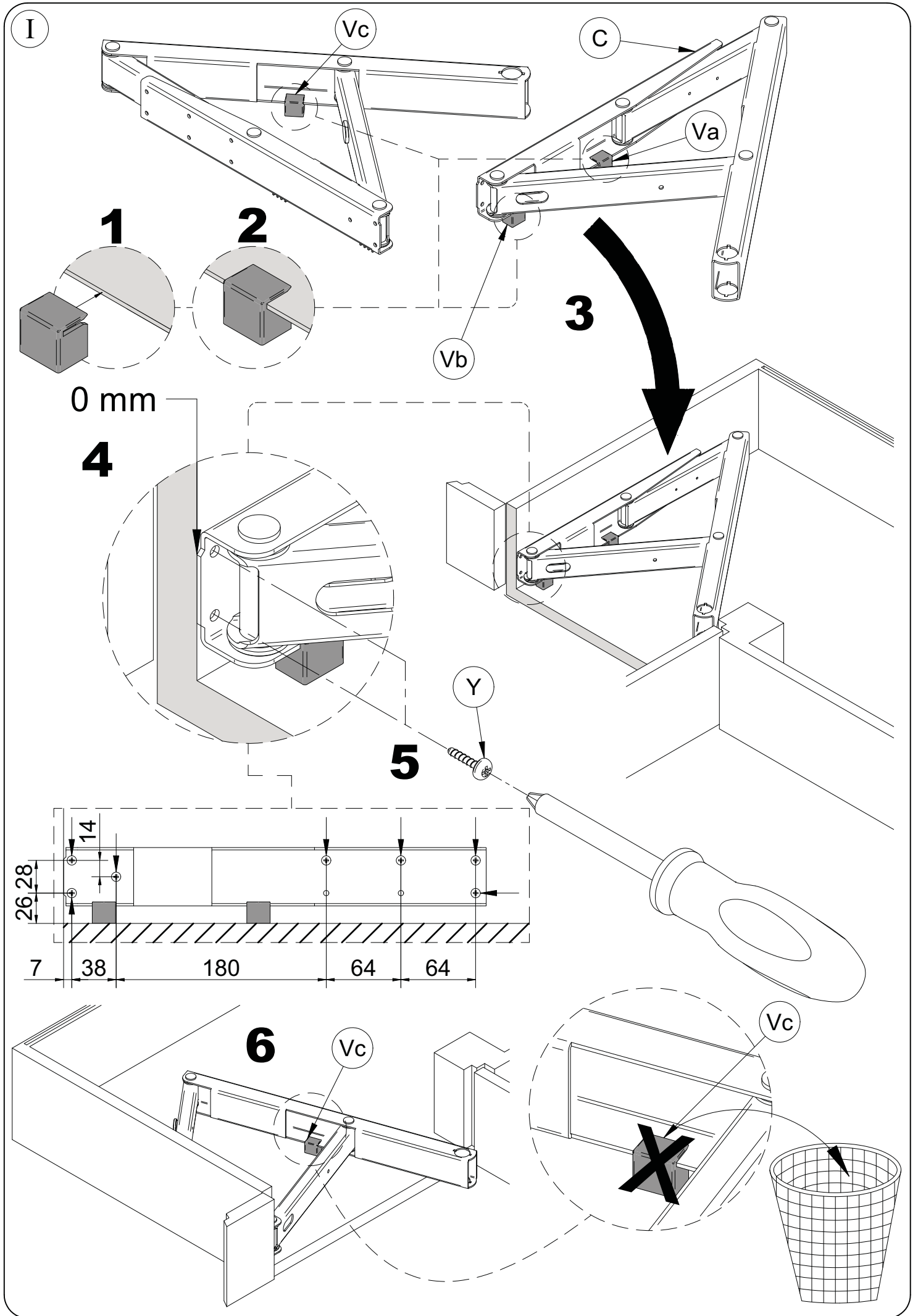
**BEFORE STARTING, REFER  
 TO THE ASSEMBLING  
 ADVICE IN ANNEX**

**AVANT DE COMMENCER, SE  
 REPORTER AUX CONSEILS  
 DE MONTAGE EN ANNEXE**

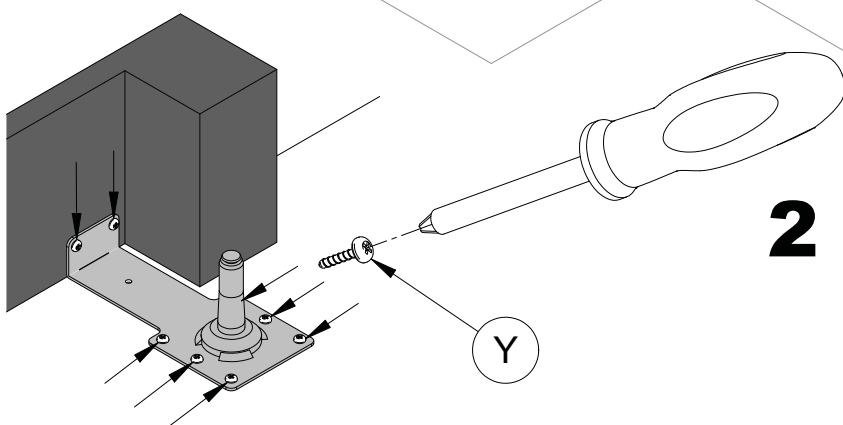
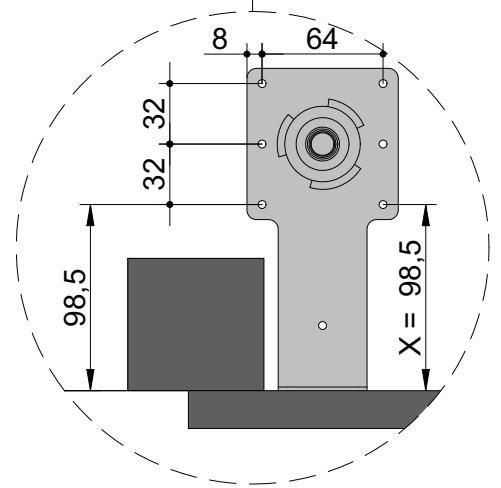
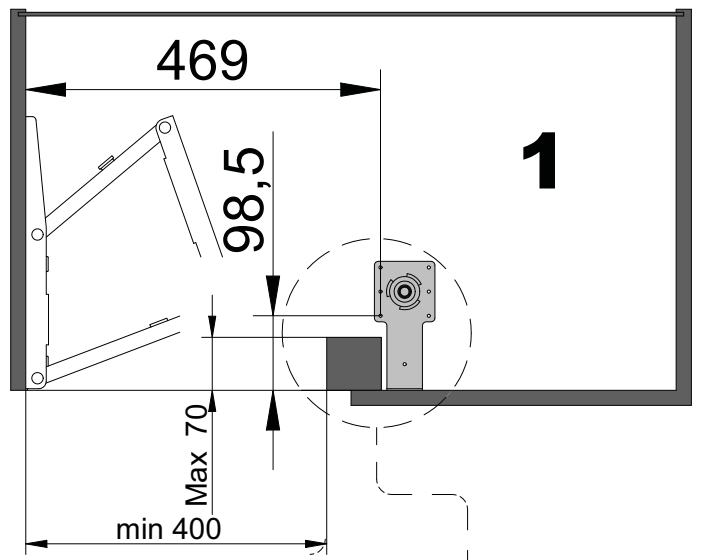
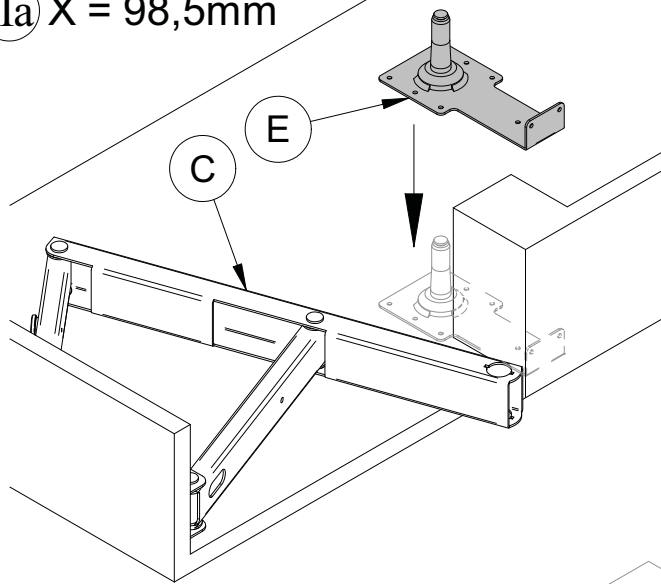
**VOR DIE MONTAGE, BITTE  
 BEILIEGENDE  
 ANWEISUNGEN FOLGEN**

**ANTES DE EMPEZAR  
 CONSULTE LOS CONSEJOS  
 PARA EL MONTAJE**

A x 1	B x 1	C x 1	D x 2	E x 1	F x 1	G x 1
H x 6	I1 x 1	I2 x 2	L1 x 2	L2 x 4	M1 x 1	M2 x 2
N1 x 1	N2 x 2	O-P x 1	Q x 3	R x 1	S x 3	T x 3
U x 4	V x 3	Z x 12	J x 1	K x 4	W x 12	Y x 25



IIa X = 98,5mm



IIb X < 98,5mm

